

# Isotherm Plate Heat Exchangers

Leading manufacturer of Chevron Plate Heat Exchangers



Guaranteed integrity in high pressure applications

## We are the leading manufacturer of Plate Heat Exchangers of all types such as:

- \* Plate and Frame - Gasket
- \* Plate and Frame - Laser Welded Cassette
- \* Shell and Plate - All Welded
- \* Brazed - Copper and/or Nickel

## Industries served:

- \* Refrigeration
  - Plate and Frame - Laser Welded Cassette
    - Two plates laser welded to confine Ammonia or other refrigerant within two plates reducing the risk of leak
  - Shell and Plate - All Welded
    - Round Plates welded eliminating gaskets and inserted inside a shell allowing high pressure applications
  - Brazed - Copper and/or Nickel
    - Plate pack copper or nickel brazed
- \* HVAC
  - Plate and Frame - Gasket
    - Plates with gaskets
- \* Food and Beverage
  - Plate and Frame - Gasket
    - Stainless Steel Frame and Plates with Sanitary Fittings
- \* Petrochemical and Process
  - Plate and Frame - Gasket
  - Plate and Frame - Laser Welded
  - Shell and Plate - All Welded

## Materials of Construction

- \* Plates
  - Stainless Steel 304/L and 316/L
  - Titanium
  - Hastelloy
- \* Frame
  - Painted Carbon Steel
  - Stainless Steel 304
- \* Gaskets
  - NBR-NT; HNBR; NBR-NT-LM
  - CR-HT
  - EPDM-HT; EPDM-NT; EPDM-NT-LM; EPDM-XH
  - PTFE

## Code Compliance

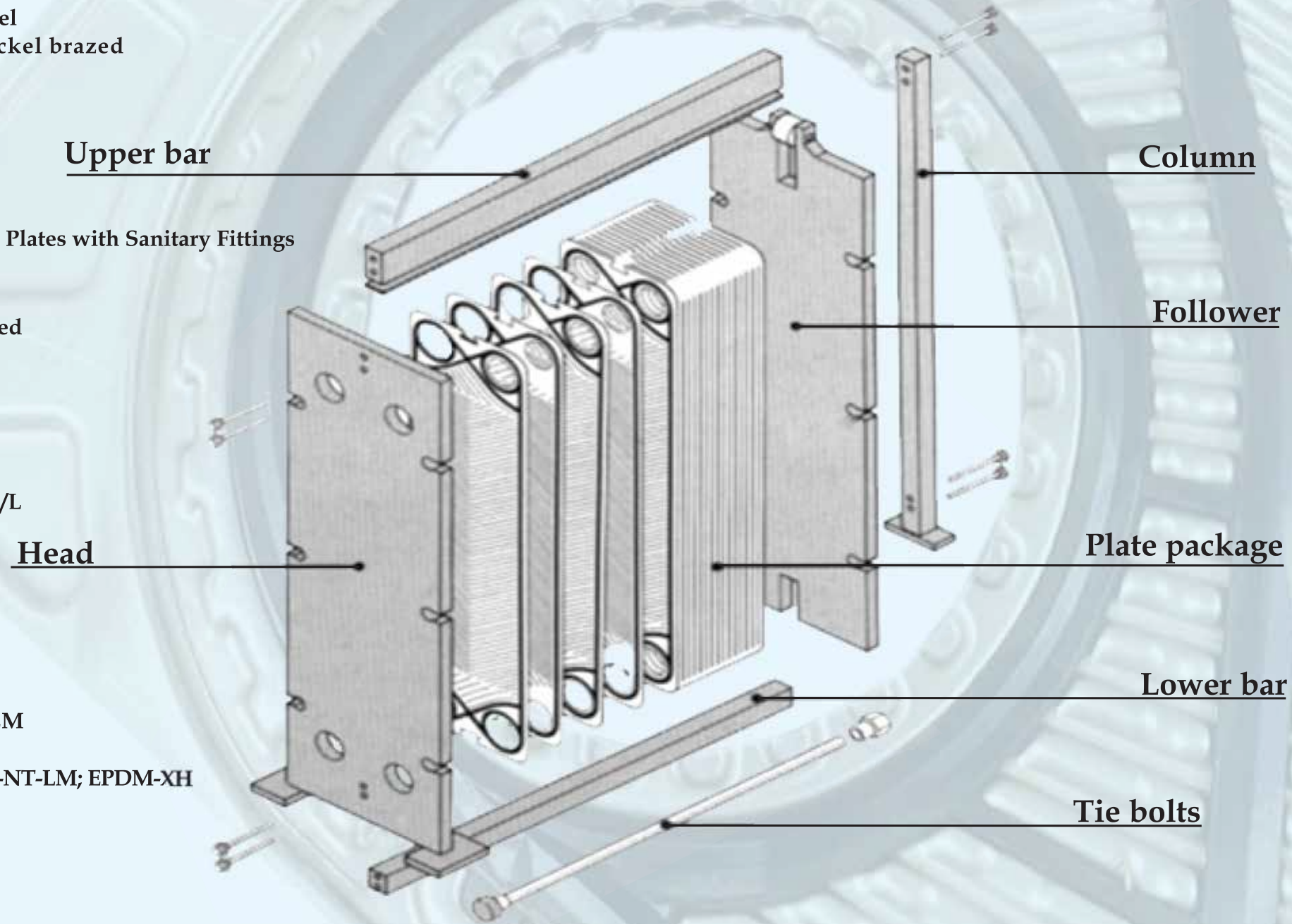
Design and fabrication per ASME and PED

## Connection Options

- \* Studded ports with Rubber or Stainless Steel Liners
- \* ANSI or DIN Flanges
- \* Butt Weld Pipe for Refrigeration Applications
- \* Stainless Steel Ferrule for Sanitary or Pharmaceutical Applications

## Other Options

- \* Galvanized or Stainless Steel Drip Pan for Refrigeration Applications
- \* Protective Shroud for Refrigeration and Hazardous Fluids Applications



Two plates Laser Welded